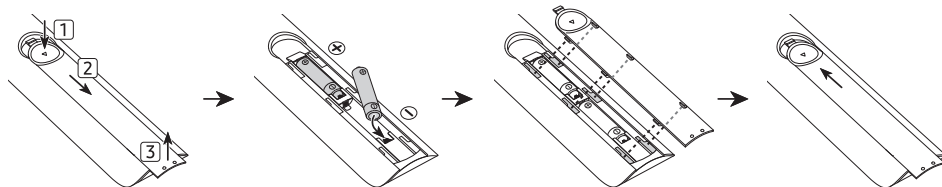
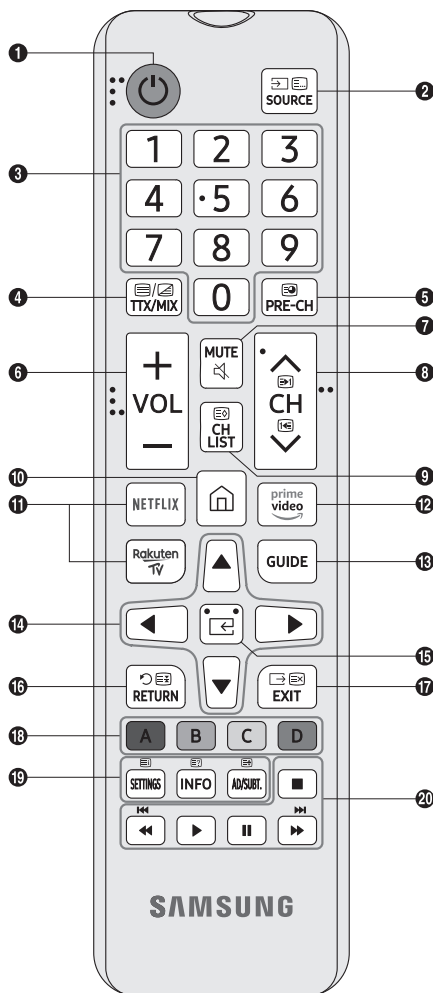



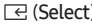
SAMSUNG



BN68-11316D-00

About the Buttons on the Remote Control



Number	Description
1	 (Power) Turns the TV on and off.
2	Displays and selects available video sources.
3	Gives direct access to channels.
4	Alternately selects Teletext mode, Full TTX / Double TTX / Mix / Live TV.
5	Returns to the previous channel.
6	Adjusts the volume.
7	Turns the sound on/off.
8	Changes the current channel.
9	Launches the Channel List.
10	Launches Home Screen.
11, 12	Press each button to run its function.
13	Displays the Guide screen.
14	Moves the cursor, selects the on-screen menu items, and changes the values seen on the TV's menu.
15	 (Select) Selects or runs a focused item.
16	Returns to the previous menu or channel.
17	Exits the menu.
18	Use these buttons according to the directions on the TV screen.
19	SETTINGS Displays the main on-screen menu. INFO Displays information about the current programme or content. AD/SUBT. Displays the Accessibility Shortcuts.
20	Use these buttons with specific features. Use these buttons according to the directions on the TV screen.

- The images, buttons, and functions of the remote control may differ depending on the model.
- This remote control has Braille points on the Power, Channel, Volume, and Select buttons and can be used by visually impaired persons.
- If you use the remote control that comes with your TV to control another TV, some functions may not operate normally.